

**PLANO**®

2017 HUNTING GEAR



# PLANO®



## PROTECT YOUR PASSION

PLANO HAS YOUR HUNT COVERED LONG BEFORE YOU EVER STEP FOOT INTO THE FIELD, STAND OR BLIND. NO MATTER THE SEASON, WEATHER, TERRAIN OR YOUR TECHNIQUE, YOUR GEAR WILL ALWAYS REMAIN PROTECTED AND READY FOR USE OR TRANSPORT. THIS IS PLANO'S PURPOSE AND PLEDGE. WE PROTECT YOUR GEAR, YOUR OUTINGS AND YOUR PASSION.

### GUN CASES

- 6 FIELD LOCKER™
- 8 ALL WEATHER™ CASES
- 10 TACTICAL CASES
- 12 X2™ RANGE BAGS
- 14 DLX SERIES CASES
- 15 XLT HANDGUN CASES
- 16 PRO-MAX™ SERIES CASES
- 18 SE SERIES™ CASES
- 20 PROTECTOR SERIES™ CASES
- 21 PLANO® HARD CASES
- 22 PLANO® GUN GUARD™ CASES

### ARCHERY CASES

- 26 SPIRE™ CROSSBOW CASE
- 28 MANTA™ CROSSBOW CASE
- 29 BOW-MAX™ CROSSBOW CASE
- 30 FIELD LOCKER™ BOW CASE
- 32 ALL WEATHER™ BOW CASES
- 33 PARALLEL LIMB BOW CASE
- 34 COMPACT BOW CASES
- 37 PLANO® RECURVE CASES
- 38 ARCHERY ESSENTALS

### ACCESSORIES

- 42 SPORTSMAN'S TRUNKS
- 43 1812 HUNTING STOOL
- ATV CASES
- 44 SHOOTER'S CASES AND FIELD BOXES
- 46 AMMO CASES
- 48 HUNTER GUIDE SERIES™ WATERPROOF CASES
- 49 SPECIALTY CASES

### 50 REP LIST

A person wearing camouflage pants is holding a black Plano gun case. The background is a blurred outdoor setting, possibly a field or woods, with a warm orange tint. The case is the central focus, showing its handle and latches.

**PLANO**<sup>®</sup>

# GUN CASES

◆ WHETHER YOU'RE HUNTING, SPORT SHOOTING, OR BOTH, PLANO'S GUN CASES ARE A MUST. WE UNDERSTAND THAT EVERY OUTING IS UNIQUE, AND WE HAVE CREATED CASES THAT ADDRESS ALL YOUR STORAGE AND TRANSPORTATION NEEDS. WHEN IT COMES TO PROTECTING SHOTGUNS, RIFLES OR HANDGUNS, YOU CAN COUNT ON PLANO TO DELIVER YOUR GOODS INTACT.



◆ GUN CASES

# FIELD LOCKER™ MIL-SPEC GUN CASES

## OUR MOST SECURE CASES

Engineered to meet military specifications, Plano's new Field Locker™ line of gun cases provides top-level protection for high-end shotguns, rifles and handguns. Equipped with reinforced construction, watertight seals, double-density foam and industrial draw-down latches, these cases provide security for the transportation and storage of your firearms.



CERTIFIED BY AN ACCREDITED TEST FACILITY TO MEET THE FOLLOWING MILITARY SPECIFICATIONS PER MIL-STD-810G

- ▶ IMMERSION
- ▶ VIBRATION
- ▶ DUST
- ▶ TRANSIT DROP



- HIGH-DENSITY CUSTOMIZABLE FOAM
- REINFORCED PADLOCK GATES
- OVER MOLDED HEAVY-DUTY HANDLE REDUCES FATIGUE
- HEAVY-DUTY DRI-LOC® GASKET KEEPS OUT THE ELEMENTS
- PRESSURE RELEASE VALVE EQUALIZES PRESSURE CAUSED BY ALTITUDE OR TEMPERATURE
- EASY GLIDE ENCLOSED BALL BEARING WHEELS
- EXTRA WIDE LATCHES FOR EASY OPEN AND CLOSING
- DESIGNED TO STACK AND INTERLOCK WITH EACHOTHER



**NEW**

### 109160 FIELD LOCKER™ AMMO CASE

EXTERIOR  
17" x 11" x 8.5"

- + Waterproof Dri-loc® gasket
- + Extra-wide latches
- + Reinforced padlock gates
- + Over molded heavy-duty handle reduces fatigue
- + Pressure release valve equalizes pressure caused by altitude or temperature
- + Heavy-duty carry sling
- + Packed 1/carton



### 109540 FIELD LOCKER™ DOUBLE LONG MIL-SPEC GUN CASE

INTERIOR 54" x 15" x 6.38"	EXTERIOR 56.38" x 18" x 7.25"
-------------------------------	----------------------------------

- + Wheeled case for ease of transport
- + Largest internal dimensions of any gun case manufactured by Plano®
- + Packed 1/carton



**109130**

**FIELD LOCKER™ MEDIUM  
MIL-SPEC PISTOL CASE**

INTERIOR

10" x 8" x 5.75"

EXTERIOR

13.24" x 11.15" x 6.375"

- + Customizable pluck foam
- + Packed 1/carton



**109150**

**FIELD LOCKER™ LARGE  
MIL-SPEC PISTOL CASE**

INTERIOR

15.5" x 8" x 5.75"

EXTERIOR

17.876" x 10.920" x 6.882"

- + Packed 1/carton



**109170**

**FIELD LOCKER™ XL  
MIL-SPEC PISTOL CASE**

INTERIOR

17" x 12" x 7.75"

EXTERIOR

19.343" x 14.892" x 8.937"

- + Packed 1/carton



**109440**

**FIELD LOCKER™ TACTICAL  
LONG MIL-SPEC GUN CASE**

INTERIOR

44" x 15" x 6.38"

EXTERIOR

46.38" x 18" x 7.25"

- + Wheeled case for ease of transport
- + Packed 1/carton



**109501**

**FIELD LOCKER™ SINGLE LONG  
MIL-SPEC GUN CASE**

INTERIOR

50" x 10" x 5.88"

EXTERIOR

52.14" x 13" x 6.75"

- + Packed 1/carton

◆ GUN CASES

# ALL WEATHER™ GUN CASES

- CUSTOMIZABLE PLUCK TO FIT FOAM
- EASY-GLIDE WHEELS FOR TRANSPORT (108191 ONLY)
- PRESSURE RELEASE VALVE
- DUAL-STAGE LOCKABLE LATCHES
- CONTINUOUS DRI-LOC® SEAL FOR MAXIMUM PROTECTION

Plano's All Weather gun cases protect your firearms from damage and the elements. With rugged, industrial-strength construction and a continuous Dri-Loc® Seal, All Weather cases create a watertight and airtight shield that protect your guns even in the most extreme conditions. And with heavy-duty, dual-stage lockable latches and a built-in pressure release valve, the cases are designed to withstand the continuous bumping and jarring of airline travel.



<b>108180</b>		<b>GREEN ALL WEATHER™ DOUBLE SCOPED RIFLE/ SHOTGUN WHEELED CASE</b>
<b>INTERIOR</b>	<b>EXTERIOR</b>	
51.5" x 12.63" x 5.25"	54.625" x 15.5" x 6"	

- + Pluckable Interior 46" x 10"
- + Packed 1/carton

<b>108191</b>		<b>BLACK ALL WEATHER™ DOUBLE SCOPED RIFLE/ SHOTGUN WHEELED CASE</b>
<b>INTERIOR</b>	<b>EXTERIOR</b>	
51.5" x 12.63" x 5.25"	54.625" x 15.5" x 6"	

- + Pluckable Interior 46" x 10"
- + Packed 1/carton





**108021** ALL WEATHER™ LARGE PISTOL/ACCESSORY CASE

INTERIOR	EXTERIOR
17" x 12" x 7.25"	18.375" x 14.25" x 8"

- + Pluckable Interior 15" x 10"
- + Packed 1/carton



**108031** ALL WEATHER™ EXTRA LARGE PISTOL/ACCESSORY CASE

INTERIOR	EXTERIOR
18.75" x 14.25" x 8.25"	20.75" x 16.5" x 9.25"

- + Pluckable Interior 16.5" x 12"
- + Packed 1/carton



**108361** ALL WEATHER™ RIFLE/SHOTGUN CASE

INTERIOR	EXTERIOR
37" x 13" x 5"	40" x 16" x 5.5"

- + Pluckable Interior 33.5" x 10.25"
- + Packed 1/carton



**108421** ALL WEATHER™ RIFLE CASE

INTERIOR	EXTERIOR
43" x 13" x 5"	46" x 16" x 5.5"

- + Pluckable Interior 39.25" x 10.25"
- + Packed 1/carton

**GUN CASES**

# PLANO® TACTICAL GUN CASES

- + Heavy-duty material
- + Durable snap down latches
- + Padlock tabs
- + Molded in heavy-duty handle
- + Versatile internal lash down mounts
- + Accessory lash down mounts
- + External utility strapping points

Durably designed for improved mobility and access, the all-new Plano Tactical Series is adding whole new dimension to gun storage and transport. Equipped with internal lash down mounts for your firearms and accessories, and numerous external strapping points to tie-down during travel, these cases will keep you armed and ready, no matter where you go.



**NEW**



**1074250 TACTICAL MOLLE CASE**

<small>INTERIOR</small> 42" x 13" x 3.5"	<small>EXTERIOR</small> 44.25" x 17.88" x 5.31"
---	--

- + External Molle Storage Feature
- + Packed 1/carton



**NEW**

**1074200 TACTICAL 42"**



<small>INTERIOR</small> 42" x 13" x 3.5"	<small>EXTERIOR</small> 44.25" x 17.88" x 5.31"
---	--

- + Packed 1/carton



**NEW**

**1073600 TACTICAL 36"**



<small>INTERIOR</small> 36" x 13" x 3.5"	<small>EXTERIOR</small> 38.75" x 17.88" x 5.31"
---	--

- + Packed 1/carton



**NEW**

**1071800 TACTICAL PISTOL**

<b>INTERIOR</b>	<b>EXTERIOR</b>
17.63" x 10.5" x 3.5"	18.25" x 13.88" x 4.75"

- + Heavy-duty material
- + Holds two pistols and accessories
- + Durable snap down latches
- + Padlock tabs
- + Molded in heavy-duty handle
- + Packed 2/Carton



**93820 LARGE SOFT PISTOL CASE**

<b>INTERIOR</b>	<b>EXTERIOR</b>
9.25" x 14.25"	9.5" x 14.5" x 2"

- + Thick dual-foam padding
- + Heavy-duty 1680 Denier exterior fabric
- + Three external pockets
- + Packed 6/Carton

Made in China



**81560 TACTICAL CASE**

<b>INTERIOR</b>	<b>EXTERIOR</b>
42" x 13.25"	42.5" x 13.5" x 3.5"

- + High-density foam
- + Heavy-duty exterior fabric
- + Gusseted side pocket with five magazine pockets
- + Packed 4/Carton

Made in China



**NEW**

**1071600 TACTICAL AMMO CAN**

<b>INTERIOR</b>	<b>EXTERIOR</b>
12.312" x 9.312" x 8.5"	16.25" x 13" x 9.5"

- + Water resistant O-Ring Seal
- + Two Internal removable dividers
- + Heavy Duty Material
- + Stackable
- + Two Side Carry Handles
- + Rated to 85lbs
- + Packed 2/Carton



**93819 MEDIUM SOFT PISTOL CASE**

<b>INTERIOR</b>	<b>EXTERIOR</b>
7" x 11.25"	7.25" x 11.5" x 2"

- + Thick dual-foam padding
- + Heavy-duty 1680 Denier exterior fabric
- + Three external pockets
- + Packed 6/Carton

Made in China

# PLANO® X2™ RANGE BAGS

They're the perfect complement to your Plano ammo cases. The X2 series of range bags are designed to fit securely around Plano field boxes to provide necessary storage for safety glasses, ear protection, magazine holders, cleaning supplies and other accessories. It comes equipped with an adjustable padded shoulder strap so you easily carry all the firepower you need for fine-tuning your shot.



**1312500** X2™ 1312  
RANGE BAG

INTERIOR 14" x 6.75" x 7.5"

- + Large conceal carry pistol pocket fits up to medium frame pistols
- + Holds 1312 ammo can
- + Three external magazine pockets and 2 large pockets for storing accessories
- + Back zips open to lay out gun mat and /or room to store second pistol
- + Packed 2/carton



**1612500** X2™ 1612  
RANGE BAG

INTERIOR 15.25" x 9.75" x 9.25"

- + Large front pocket stores molded pistol case (Plano 1010137) or large frame pistols
- + Large pocket holds ammo can (Plano 1612)
- + Two magazine pockets, a large side pocket and a mesh back pocket conveniently store accessories
- + Packed 2/carton



**1712500** X2™ 1712  
RANGE BAG

INTERIOR 16.75" x 10.25" x 10.25"

- + Large front pocket stores molded pistol case (Plano 140300) or medium-to-large frame pistols
- + Large pocket holds ammo can (Plano 1712)
- + Two magazine pockets, a large side pocket and a mesh back pocket conveniently store accessories
- + Packed 2/carton

# DLX SERIES CASES

Plano's classic DLX Series has been the industry standard for over 30 years. It features an attractive alligator textured exterior, full-length piano hinges and a protective aluminum valance around the case opening. The cases also feature twin fold-away handles, dual key-lock latches and high-density foam padding.

- + DURABLE, FULL-LENGTH PIANO HINGE
- + KEY LOCKABLE LATCHES FOR SAFE STORAGE
- + PROTECTIVE ALUMINUM VALANCE



**1010101** DLX SINGLE RIFLE CASE

INTERIOR	EXTERIOR
47.88" x 8.75" x 3.88"	48.25" x 10" x 4.5"

- + Interlocking foam
- + Packed 1/carton



**1010252** DLX DOUBLE RIFLE / SHOTGUN CASE

INTERIOR	EXTERIOR
51.75" x 13" x 3.875"	52.13" x 14.5" x 4.5"

- + Interlocking foam
- + Packed 1/carton



**1010303** DLX TAKEDOWN CASE

INTERIOR	EXTERIOR
37.5" x 11.25" x 3.88"	38" x 12.5" x 4.5"

- + Interlocking foam
- + Packed 1/carton



**1010402** DLX TWO PISTOL CASE

INTERIOR	EXTERIOR
13.75" x 8.62" x 3.875"	14.125" x 10" x 4.375"

- + Interlocking foam
- + Packed 1/carton

**1010404** DLX FOUR PISTOL CASE

INTERIOR	EXTERIOR
17.63" x 13.75" x 4"	18" x 15" x 4.38"

- + Interlocking foam
- + Packed 1/carton

# XLT HANDGUN CASES

With advanced styling, a textured scuff-resistant surface and high-strength pinned hinges, Plano's XLT Series provides secure handgun storage at a moderate price. Each XLT case features a swivel handle and dependable key-lock latch.



**1010088** XLT TWO PISTOL / ACCESSORY CASE

INTERIOR	EXTERIOR
11.63" x 7.75" x 5"	12.75" x 9.38" x 5.38"

- + High-density foam
- + Packed 1/carton

**1010089** XLT FOUR PISTOL / ACCESSORY CASE

INTERIOR	EXTERIOR
17.75" x 11.88" x 6.5"	19" x 13.38" x 7"

- + High-density foam
- + Packed 1/carton

# PRO-MAX™ SERIES CASES

With its unique crush-resistant design, Plano's Pro-Max cases include a number of high-end security features to keep firearms safe and free from damage. Thick-walled construction, molded handles, padlock tabs and Plano's patented PillarLock® system make Pro-Max cases an incredible value for gun transportation and storage.

- + PATENTED PILLARLOCK® PROVIDES CRUSH-RESISTANT STRENGTH
- + COMFORTABLE, FLEXIBLE HANDLE FOR EASY CARRYING (1512 & 1532 MODELS ONLY)
- + FOUR SECURITY STRAPS HOLD GUNS FIRMLY IN PLACE (1532 MODEL ONLY)



<b>153200</b>	<b>PRO-MAX™ DOUBLE SCOPED RIFLE CASE</b>	
	INTERIOR	EXTERIOR
	52.5" x 16.25" x 4.5"	53.875" x 19" x 5.625"

- |  |   |
|--|---|
| <ul style="list-style-type: none"> <li>+ Interlocking foam</li> <li>+ Packed 1/carton</li> </ul> | <p style="font-size: small;">PATENTED PILLARLOCK®<br/>SYSTEM U.S. PATENT# 456,133<br/>AND 6,571,946</p> |
|--|---|



<b>153500</b>	<b>PRO-MAX™ TAKE-DOWN SHOTGUN CASE</b>	
	INTERIOR	EXTERIOR
	35.25" x 7.625" x 3.625"	36" x 10.75" x 4"

- + Interlocking foam
- + Packed 1/carton





**140201** PRO-MAX™ PISTOL CASE

INTERIOR	EXTERIOR
16.125" x 11.375" x 3.125"	16.75" x 14.5" x 3.5"

- + Interlocking foam
- + Packed 4/carton



**151101** PRO-MAX™ SINGLE SCOPE CONTOURED RIFLE CASE

INTERIOR	EXTERIOR
52" x 3.75" x 10.25"	53.63" x 3.75" x 13"

- + Interlocking foam
- + 1511-01 Packed 1/carton
- + 1511-05 Packed 4/carton



**153101** PRO-MAX™ SINGLE SCOPE RIFLE CASE

INTERIOR	EXTERIOR
52" x 3.75" x 8.25"	53.25" x 4.125" x 12"

- + Interlocking foam
- + 1531-01 Packed 1/carton
- + 1531-04 Packed 4/carton



**151200** PRO-MAX™ SIDE-BY-SIDE RIFLE CASE

INTERIOR	EXTERIOR
52.375" x 9.75" x 5.875"	53.32" x 12.38" x 6.13"

- + Interlocking foam
- + Packed 1/carton

# SE SERIES™ CASES

Plano SE Series gun cases are an ideal option for budding sportsmen looking to expand their collections. With rugged ribbed construction, recessed latches and padlock tabs, the SE Series case offers protection designed for a wide array of firearms.

- + CONTOURED RECESSED LATCHES
- + STRONG AND RIGID RIBBED CONSTRUCTION
- + PADLOCK TABS FOR ADDED SECURITY



<b>1010137</b>	<b>SE SERIES™ PISTOL / ACCESSORY CASE</b>
<small>INTERIOR</small> 13" x 9.5" x 2.5"	<small>EXTERIOR</small> 13.5" x 10.13" x 3"

- + High-density interlocking foam
- + Packed 6/carton

<b>1010164</b>	<b>SE SERIES™ FOUR PISTOL / ACCESSORY CASE</b>
<small>INTERIOR</small> 16.5" x 14.25" x 5.25"	<small>EXTERIOR</small> 17.1" x 14.86" x 5.75"

- + High-density interlocking foam
- + Lower layer of plucked foam for customizing
- + Packed 1/Cartron

<b>1014212</b>	<b>SE SERIES™ RIMFIRE/SPORTING CASE</b>
<small>INTERIOR</small> 40.5" x 10" x 3"	<small>EXTERIOR</small> 41.8" x 11.8" x 3.5"

- + High-density interlocking foam
- + Packed 1/carton



**1010489** SE SERIES™ CONTOURED RIFLE / SHOTGUN CASE

INTERIOR	EXTERIOR
52" x 10.31" x 3"	52.5" x 11.32" x 3.25"

- + High-density interlocking foam
- + 10489 Packed 1/carton
- + 10485 Packed 4/carton



**1010562** SE SERIES™ GREEN SINGLE RIFLE / SHOTGUN CASE

INTERIOR	EXTERIOR
51.87" x 10.01" x 2.53"	52.44" x 11.26" x 3.31"

- + High-density interlocking foam
- + Packed 2/carton



**1010470** SE SERIES™ SINGLE SCOPE RIFLE CASE

INTERIOR	EXTERIOR
47.87" x 10.44" x 3"	48.38" x 11" x 3.38"

- + High-density interlocking foam
- + 10470 Packed 1/carton
- + 10475 Packed 6/carton



**1010586** SE SERIES™ DOUBLE RIFLE / SHOTGUN CASE

INTERIOR	EXTERIOR
51.75" x 14.88" x 3.77"	52.19" x 15.97" x 4"

- + High-density interlocking foam
- + 10586 Packed 1/carton
- + 10587 Packed 2/carton

# PROTECTOR SERIES™ CASES

The Plano Protector Series case is simply the best value-to-price option available in the category. Sturdy construction, molded handles, heavy-duty latches and padlock tabs make the Protector Series a perfect choice for new gun owners and seasoned collectors alike.



**140300** PROTECTOR SERIES™ SINGLE PISTOL CASE

INTERIOR	EXTERIOR
10.5" x 6.325" x 2.25"	11.5" x 7.5" x 2.75"

- + Interlocking foam
- + Packed 4/carton



**140402** PROTECTOR SERIES™ FOUR PISTOL CASE

INTERIOR	EXTERIOR
16.25" x 5.75" x 11.325"	16.75" x 6" x 14.5"

- + Interlocking foam
- + Packed 4/carton



**150100** PROTECTOR SERIES™ CONTOURED SHOTGUN / RIFLE CASE

INTERIOR	EXTERIOR
52" x 3" x 8.25"	52.75" x 3.25" x 9.5"

- + Interlocking foam
- + 1501-00 Packed 4/carton
- + 1501-94 Packed 12/carton



**150201** PROTECTOR SERIES™ DOUBLE GUN CASE

INTERIOR	EXTERIOR
50.5" x 3.75" x 12"	51.5" x 4" x 15"

- + Interlocking foam
- + 1502-01 Packed 1/carton
- + 1502-04 Packed 4/carton

# PLANO® HARD CASES



**142100** SMALL FRAME PISTOL CASE

INTERIOR	EXTERIOR
7.125" x 1.75" x 3.875"	7.75" x 2" x 5.25"

- + Interlocking foam
- + Packed 6/carton

MADE IN CHINA



**142200** MEDIUM FRAME PISTOL CASE

INTERIOR	EXTERIOR
9.25" x 2" x 4.875"	9.75" x 2.25" x 6.13"

- + Interlocking foam
- + Packed 6/carton

MADE IN CHINA



**142300** LARGE FRAME PISTOL CASE

INTERIOR	EXTERIOR
11.125" x 2" x 5.625"	12" x 2.25" x 7"

- + Interlocking foam
- + Packed 6/carton

MADE IN CHINA



**1010527** FL SINGLE RIFLE / SHOTGUN CASE

INTERIOR	EXTERIOR
52.75" x 9" x 4.5"	53.5" x 10" x 5"

- + Interlocking foam
- + Packed 1/carton



**130102** AIRGLIDE RIFLE CASE

INTERIOR	EXTERIOR
50.25" x 6.5" x 9"	51.5" x 7.75" x 11.25"

- + High-density foam
- + Packed 2/carton

◆ GUN CASES

# PLANO® GUN GUARD™ CASES

For durable and affordable firearm protection, Plano's Gun Guard soft-sided cases offer unmatched quality. Constructed with heavy-duty 600D exteriors and thick foam-padded sides, these cases eliminate the worry of back-of-the-truck bumps and dings. They also feature full-length zippers and wrap-around nylon web handles for easy packing and carrying.

## RIFLE CASE

SERIES	PRODUCT	COLOR	INTERIOR	EXTERIOR
200	24823	RealTree XTRA®	46.75" x 10.75"	48" x 11" x 1.25"
	24863	Gray		
300	34823	Forest Green	46.75" x 10.75"	48" x 11" x 1.25"
	34863	RealTree XTRA®		
400	44823	Brown	46.75" x 10.75"	48" x 11" x 2.5"
	44863	RealTree XTRA®		

## SHOTGUN CASE

PRODUCT	COLOR	INTERIOR	EXTERIOR
25463	RealTree XTRA®	52.75" x 8.25"	54" x 8.5" x 1.25"
25423	Gray		
35423	Forest Green	52.75" x 8.25"	54" x 8.5" x 2"
35463	RealTree XTRA®		
45423	Brown	52.75" x 8.25"	54" x 8.5" x 2.5"
45463	RealTree XTRA®		

- + High-density foam
- + Packed 6/carton

## 200 SERIES CASES

AVAILABLE IN:



GRAY

RIFLE  
CASES



SHOTGUN  
CASES



## 300 SERIES CASES

AVAILABLE IN:

 **FOREST GREEN**

RIFLE CASES



SHOTGUN CASES



## 400 SERIES CASES

AVAILABLE IN:

 **BROWN**

RIFLE CASES



SHOTGUN CASES



## 800 SERIES CASE

**84200**

**COMPACT RIFLE CASE**

INTERIOR

43" x 8.5"

EXTERIOR

43.5" x 9" x 2"

- + High-density foam
- + Packed 4/carton





# ARCHERY CASES

- ◆ GETTING TO YOUR HUNTING DESTINATION CAN LEAD THROUGH SOME RUGGED COUNTRY. THE LAST THING YOU NEED TO WORRY ABOUT IS WHETHER YOUR BOW/CROSSBOW IS PROTECTED. PLANO HELPS YOU KEEP YOUR FOCUS ON OUR SHOT AND NOT ON THE 'WHAT IF'S' BY ENGINEERING ARCHERY CASES THAT COMPACTLY SECURE BOWS AND CROSSBOWS. AVAILABLE IN VARIOUS CONFIGURATIONS AND PROTECTION LEVELS, THERE IS A PLANO OPTION THAT FOR EVERY WEATHER AND TRAVEL NEED.





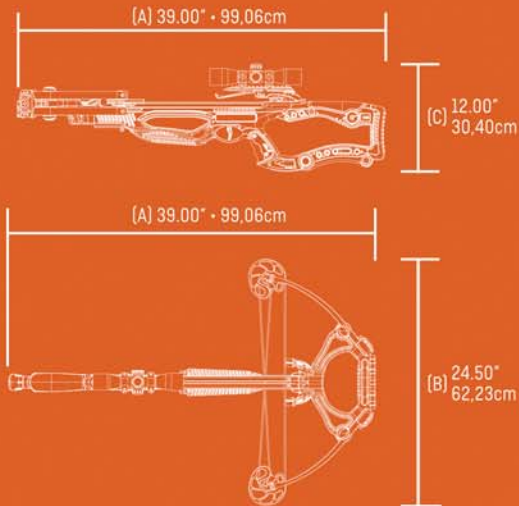
# SPIRE™ CROSSBOW CASE

## FIT ASSURANCE

FIT DIMENSIONS: 39"L x 24.5"W x 12"H

To see if your crossbow fits in Plano's SPIRE™ case, simply measure its length (A), Width (B), and Height (C). If the measurements are equal to or less than the listed limits your bow will fit.

- A) Length ≤ 39"
- B) Width ≤ 24.5"
- C) Height ≤ 12"



Perfect fit means perfect protection. And it looks pretty slick, too. Introducing Plano's new SPIRE™ Crossbow Case. With a new dynamic design combined with the dependable craftsmanship that you expect from a Plano hard case, the SPIRE™ Crossbow Case is sure to impress. It provides excellent protection, high-density foam padding, balanced carry handles, quiver storage and easily fits all major crossbow brands.



### 113200 SPIRE™ CROSSBOW CASE

INTERIOR	EXTERIOR
39" x 24.5" x 12"	41.22" x 27" x 12.25"
<ul style="list-style-type: none"> <li>+ Compact size fits new crossbow sizes</li> <li>+ Three heavy-duty latches</li> <li>+ Balanced carry handles</li> <li>+ Stands on side for easy storage</li> <li>+ Padlock clasps</li> </ul>	<ul style="list-style-type: none"> <li>+ Quiver storage in base of case (fits most)</li> <li>+ Lashing straps to secure crossbow in case</li> <li>+ Foam padding for crossbow protection</li> <li>+ Packed 1/carton</li> </ul>



# MANTA™ CROSSBOW CASE

- CRUSH-PROOF PILLARLOCK® SYSTEM
- ADJUSTABLE TAIL-STOCK CASING ALLOWS CASE TO EXPAND OR CONTRACT OVER 11"



While crossbows impress with their precise mechanics and pinpoint accuracy, they are not always easy to store or transport. Plano's innovative Manta Crossbow Case ensures that these advanced bows have an equally advanced storage option. The hard-shelled Manta case offers extreme protection, high-density foam padding, heavy-duty PillarLock® system and an adjustable tail stock to fit virtually every type of crossbow.



## 113300 MANTA™ CROSSBOW CASE

INTERIOR 31.5"-41" x 37.5" x 12"

EXTERIOR 33.125"-44.75" x 38.75" x 13.125"

- + High-density foam
- + Packed 1/carton

Check out our Plano YouTube channel for a complete installation video. Search for "Plano Manta Crossbow Case Assembly," [www.youtube.com/PlanoOutdoors](http://www.youtube.com/PlanoOutdoors)

# BOW-MAX™

Plano's Bow-Max and soft crossbow cases provide additional storage and transportation options for hunters. With durable exteriors and highly padded interiors, these versatile cases simplify storage and offer a lightweight alternative to the larger universal crossbow case.

- TIE-DOWN STRAPS
- CRUSH-PROOF PILLARLOCK® SYSTEM
- ROOM FOR ONE PLANO 3500 UTILITY BOX FOR ACCESSORIES. (NOT INCLUDED)



## **113100** BOW-MAX™ CROSSBOW CASE

INTERIOR	EXTERIOR
39.25" x 32" x 10"	41.63" x 33.5" x 11"

- + High-density foam
- + Packed 1/carton

# FIELD LOCKER™ BOW CASE

## OUR MOST SECURE CASES

Whether you're flying cross-continent, or just driving in to claim that day's spot, Plano's new Field Locker Compound Bow Case is designed for exceptional protection and durability. And like our acclaimed line of Field Locker gun cases, each bow case meets military spec and is equipped with reinforced construction, watertight seals, double-density foam and industrial draw-down latches.

CERTIFIED BY AN ACCREDITED TEST FACILITY TO MEET THE FOLLOWING MILITARY SPECIFICATIONS PER MIL-STD-810G

- ▶ IMMERSION
- ▶ VIBRATION
- ▶ DUST
- ▶ TRANSIT DROP

- HIGH-DENSITY CUSTOMIZABLE FOAM
- REINFORCED PADLOCK GATES
- OVER MOLDED HEAVY-DUTY HANDLE REDUCES FATIGUE
- PRESSURE RELEASE VALVE EQUALIZES PRESSURE CAUSED BY ALTITUDE OR TEMPERATURE
- EASY GLIDE ENCLOSED BALL BEARING WHEELS



### 109600 FIELD LOCKER™ COMPOUND BOW CASE

INTERIOR	EXTERIOR
44"x15"x6.38"	46.38"x18"x 7.25"

- + Fit Dimensions 39.25" x 12.75"
- + Pluck foam area to custom fit compound bows
- + Heavy-duty Dri-Loc® gasket keeps out the elements
- + Arrow storage in lid
- + Mil-Spec case
- + Accessory storage
- + Wheeled case for ease of transportation
- + Packed 1/carton



# ALL WEATHER™ BOW CASES

The Plano All Weather Bow Case has been designed to provide the ultimate protection for compound bows. Its thick, rugged construction, patented crush-proof PillarLock® system and weather-resistant seal keep bows and equipment protected and safe from the elements. Its ergonomic handle, high-density foam interior and integrated arrow storage keep items secure for safe transportation, including air travel.

- DUAL-STAGE LOCKABLE LATCHES
- CONTINUOUS DRI-LOC® SEAL FOR MAXIMUM PROTECTION
- CRUSH-PROOF PILLARLOCK® SYSTEM



**108115** ALL WEATHER™ SERIES BOW CASE

INTERIOR	EXTERIOR
46.5" x 16" x 6.75"	48" x 20.75" x 7.5"

- + High-density foam
- + Packed 1/carton



**108120** ALL WEATHER™ SERIES BOW CASE

INTERIOR	EXTERIOR
46.5" x 16" x 6.75"	48" x 20.75" x 7.5"

- + High-density foam
- + Packed 1/carton



# PARALLEL LIMB BOW CASE

No two hunters are exactly alike, and neither are their bows. Plano's 1144 Parallel Limb Bow Case is fully customizable, allowing archers to securely transfer and protect their bow no matter the make, model or set up. The case is constructed with an industrial-strength exterior and features generous dimensions, moveable tie-downs and an adjustable PillarLock® system that can be customized for every bow configuration.

- ARROW HOLDER FOR SIX ARROWS
- ADJUSTABLE PILLARLOCK® SYSTEM ALLOWS FOR MULTIPLE BOW CONFIGURATIONS
- THREE NYLON TIE-DOWN STRAPS TO SECURE BOW
- INCLUDES PLANO 1309 UTILITY BOX



ADJUSTABLE PILLARLOCK® SYSTEM MAKES IT EASY TO SECURE MULTIPLE BOW CONFIGURATIONS



## 114400 PARALLEL LIMB BOW CASE

INTERIOR	41" x 17" x 7"	EXTERIOR	43" x 19" x 7.5"
----------	----------------	----------	------------------

- + Pluck foam for pillar placement
- + Adjustable PillarLock® system
- + 1309 utility box included
- + Packed 1/carton



# COMPACT BOW CASE

Plano Compact Bow Cases are designed to safely store and transport smaller sized bows. Lighter and smaller than traditional hard bow cases, each features tie-down straps, arrow holders, dense foam padding and Plano's patented crush-proof PillarLock® system. These small cases remain big on high-end amenities.



**NEW**

## 1010645 SE PRO BOW CASE

INTERIOR	EXTERIOR
43.09" x 15.3" x 8"	44.6" x 20.4" x 8.7"

- + New tie downs for the bow
- + New strap in quiver storage in lid
- + Universal to fit all quivers.
- + Includes arrow case 112500 that can be strapped in lid
- + 112700 also fits in quiver storage
- + Packed 1/carton



**NEW**

## 1010635 SE BOW CASE

INTERIOR	EXTERIOR
43.09" x 15.3" x 8"	44.6" x 20.4" x 8.7"

- + New tie downs for the bow
- + New strap in quiver storage in lid
- + Foam arrow storage
- + Packed 1/carton



**1110**

**PROTECTOR SERIES™  
COMPACT BOW CASE**

INTERIOR	EXTERIOR
41.5" x 16.75" x 6.5"	43.25" x 19" x 6.75"

- + High-density foam
- + 111000 Black-Packed 1/carton
- + 111099 Camo-Packed 1/carton
- + 111096 Black-Pallet pack 14/pallet
- + 111095 Camo-Pallet pack 14/pallet



**1111**

**PROTECTOR SERIES™  
SINGLE BOW CASE**

INTERIOR	EXTERIOR
48" x 16.25" x 6"	49" x 19.5" x 6.5"

- + High-density foam
- + 111100 Black-Packed 1/carton
- + 111196 Black-Pallet pack 12/pallet
- + 111195 Camo-Pallet pack 12/pallet



- CRUSH-PROOF PILLARLOCK® SYSTEM\*
- ARROW STORAGE UNDER LID
- ADJUSTABLE TIE-DOWN STRAPS

# COMPACT BOW CASE



- + ADJUSTABLE TIE-DOWN STRAPS
- + CRUSH-PROOF PILLARLOCK® SYSTEM
- + ARROW HOLDERS



<b>110900 COMPACT BOW CASE</b>	
INTERIOR	EXTERIOR
39.625" x 11.5" x 4.1875"	41" x 15" x 4.75"

- + High-density foam
- + Durable latches
- + Patented PillarLock® design
- + Arrow holder holds six arrows
- + Adjustable tie-down straps
- + 110900-Packed 1/carton
- + 110903-Packed 3/carton
- + 110995-Pallet pack 15/pallet

PATENTED PILLARLOCK® SYSTEM U.S. PATENT# 456,133 AND 6,571,946



<b>1109 FUSION BOW CASES</b>	
INTERIOR	EXTERIOR
39.625" x 11.5" x 4.1875"	41" x 15" x 4.75"

- + High-density foam
- + Durable latches
- + Patented PillarLock® design
- + Arrow holder holds six arrows
- + Adjustable tie-down straps
- + 110901 Green-Packed 1/carton
- + 110902 Magenta-Packed 1/carton

FITS BARNETT BANSHEE, MISSION CRAZE AND MENACE, ORIGINAL GENESIS, PSE MINI BURNER, DIAMOND NUCLEAR ICE AND MANY OTHERS.

# PLANO® RECURVE CASES

With the popularity of traditional recurve bows rivaling that of compound bows, Plano has developed a new line of compact recurve carrying cases to make it easier for storing and transporting these larger bows. Once disassembled, the limbs and riser fit uniformly inside this hard-shell protective case.



## 113500 BOW MAX RECURVE TAKE DOWN BOW CASE

INTERIOR	EXTERIOR
35.25" x 7.625" x 3.625"	36" x 10.75" x 4"

- + Interlocking foam
- + Crush-proof PillarLock® system
- + Sturdy latches
- + Packed 1/carton



## 11303 DELUXE RECURVE TAKE DOWN BOW CASE

INTERIOR	EXTERIOR
51.75" x 13" x 3.875"	38" x 12.5" x 4.5"

- + Interlocking foam
- + Durable, full-length piano hinge
- + Key lockable latches for safe storage
- + Protective aluminum valance
- + Packed 1/carton



# ARCHERY ESSENTIALS

## BOW-MAX™ TRI-FOLD ARROW & BOLT CASES

These cases provide a compact, low-profile storage for your high-performance bolts and arrows. These innovative cases open outward at three hinge points to give easier access to arrows and accessories. Each case securely holds 6 arrows with affixed broadheads and can attach to your bow case for easy transportation.



Plano has expanded its line of protective arrow cases and accessory boxes to give archers more options for protecting their equipment. Compact new cases, adjustable arrow tubes and specialty storage solutions for broadheads and fletching enable you to easily transport, store and care for your arrows.

### 112400 CROSSBOW MAX BOLT CASE

EXTERIOR 28" x 7.75" x 2"

- + Heavy-duty material
- + Durable "H" latch closures
- + Holds 6 crossbow bolts up to 23.75"
- + Internal storage for small accessories
- + Integral slots to for lashing straps
- + Packed 4/carton

### 112500 ARROW MAX CASE

EXTERIOR 37" x 7.75" x 2"

- + Heavy-duty material
- + Durable "H" latch closures
- + Holds 6 arrows up to 32.75"
- + Internal storage for small accessories
- + Integral slots to for lashing straps
- + Packed 4/carton

### 111700 BOW-MAX™ ADJUSTABLE ARROW TUBE

EXTERIOR 24" - 39" X 3" X 3"

- + 3-inch diameter
- + Adjustable and lockable tube adjusts from 24" to 39"
- + Includes carry strap
- + Foam at tube ends protects arrow, tips and nocks
- + Packed 3/carton

### 112700 BOW-MAX™ COMPACT ARROW CASE

EXTERIOR 36.375" x 7.5" x 3.1875"      INTERIOR 35.625" x 6" x 2.75"

- + Holds 28 arrows
- + 2 removable dividers with integrated broadhead tool
- + Includes broadhead and accessory box
- + Packed 3/carton



**131000** BROADHEAD BOX

EXTERIOR 6" x 2" x 2.625"

- + Holds up to 5 broadheads
- + Packed 6/carton



**130900** ACCESSORY BOX

INTERIOR 6" x 2.75" x 1.25"

EXTERIOR 5" x 2.375" x 1.125"

- + 3 removable dividers
- + Packed 6/carton



**130600** MECHANICAL BROADHEAD CASE

EXTERIOR 6.6" x 4.13" x 1.22"

- + Stores 6 mechanical broadheads
- + Packed 6/carton



**134100** ARCHER'S ACCESSORY BOX

EXTERIOR 12.5" x 7.5" x 1.75"

- + For field or bench
- + Up to 11 adjustable interior compartments
- + Packed 4/carton



**134851** ARCHERY BOX

EXTERIOR 11.5" x 8.25" x 5"

- + For field or range
- + See-through lid, comfortable handle
- + Packed 2/carton



**131100** ARCHERY ACCESSORY BOX

EXTERIOR 6.75" x 5" x 5"

- + For field or bench
- + High-density foam insert
- + Packed 4/carton



**111800** PROTECTOR SERIES™ BOW-MAX™ ARROW CASE

EXTERIOR 36" x 10.75" x 4"      INTERIOR 35.25" x 7.625" x 2.25"

- + Holds 18 arrows
- + Packed 1/carton

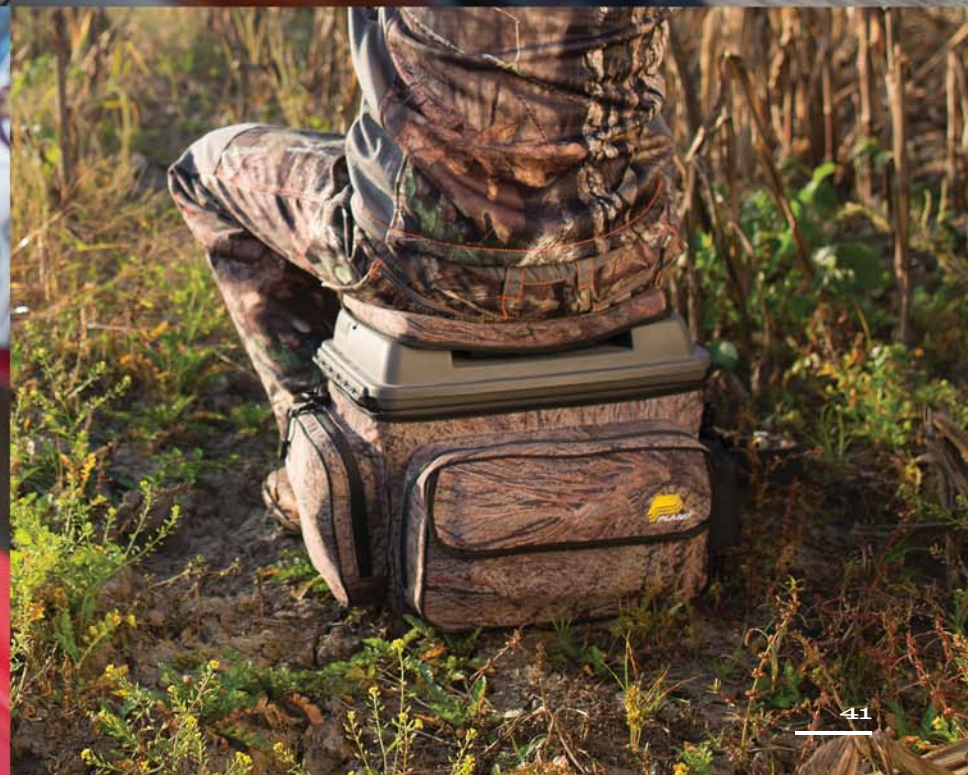


**PLANO**<sup>®</sup>

# ACCESSORIES

- ◆ PLANO PRIDES ITSELF IN KNOWING AND PROVIDING FOR THE 'INS' AND 'OUTS' OF HUNTING TRIPS. WHETHER YOUR TRIP IS IN THE WOODS, SWAMPS OR FIELDS, PLANO UNDERSTANDS A KEY TO A SUCCESSFUL OUTING IS KEEPING YOUR AMMO AND OTHER GEAR FUNCTIONAL. PACK IT AND PROTECT IT WITH PLANO.





# SPORTSMAN'S TRUNKS

Conveniently store and transport all your hunting and outdoor gear in one large protective trunk. These high-impact plastic bins come in three sizes and are designed with durable reinforced lids that allow for units to be securely stacked on top of one another. The fully removable lids fit tightly on the base and clamp down in place with heavy-duty latches. Additionally, each features padlock tabs for added security.



**1919** SPORTSMAN'S TRUNK

INTERIOR	EXTERIOR
34.75" x 13.5" x 16"	37.75" x 14" x 18.25"

- + 191900 Black
- + 191902 OD Green
- + Improved wheels for smooth transport
- + Solid wheels for heavier loads
- + Built in pull grip
- + Tie down extensions to secure while transporting
- + Molded grooves for sturdy stacking
- + Lockable
- + Reinforced removable lid
- + Packed 3/carton

**1719** MEDIUM SPORTSMAN'S TRUNK

INTERIOR	EXTERIOR
26" x 11.25" x 11.25"	30" x 14.25" x 12.75"

- + 171900 Black
- + 171901 OD Green
- + Molded grooves for sturdy stacking
- + Lockable
- + Reinforced removable lid
- + Tie down extensions to secure while transporting
- + Packed 3/carton

**1619** SMALL SPORTSMAN'S TRUNK

INTERIOR	EXTERIOR
20" x 12" x 11.5"	24" x 15" x 13"

- + 161900 Black
- + 161901 OD Green
- + Molded grooves for sturdy stacking
- + Lockable
- + Reinforced, removable lid
- + Tie down extensions to secure while transporting
- + Packed 3/carton

Solid wheel make transporting your gear easy.

# 1812 HUNTING STOOL

Specifically designed for dove hunters, this all-in-one utility box has everything you need to set up and start shooting. A padded lid and super sturdy construction converts this large field box into an effective command post, while still allowing you to safely store and transport all of your ammo and accessories. When you need to relocate to a more effective spot, just pick it up and switch fields.

## 1812100 1812 HUNTING STOOL

EXTERIOR 18" x 15" x 13"

- + 1812 Field Box with tray
- + Integral seat cushion
- + Large gusseted storage pocket.
- + Side gusseted storage pocket.
- + Side mesh pockets and mesh back pocket
- + Carry strap
- + Packed 2/carton



# ATV CASES



## 151001 REAR MOUNT ATV STORAGE BOX

INTERIOR 36" x 17" x 11" EXTERIOR 39.75" x 20.5" x 12.38"

- + Snug foam seal
- + Easily mountable without drilling
- + Packed 1/carton



## 150596 GUNSLINGER™ GRAB 'N GO

EXTERIOR 54" x 5" x 12.5"

- + Removable soft case
- + Rugged thick-walled shell, ATV mountable
- + Packed 1/carton



## 1010903 ATV METAL MOUNTING BRACKET

EXTERIOR 11.75" x 4.25" x 6.5"

- + Locking pin secured
- + Fits most metal or plastic ATV racks
- + Adjustable angle control
- + Packed 1/carton

# SHOOTER'S CASES AND FIELD BOXES

Carry your ammo and keep everything you need for cleaning and maintaining your firearms all in one place with Plano's Shooter's Cases. The molded boxes feature sturdy construction and two levels of storage. Larger cases also provide a staggered yoke system to securely hold rifles for cleaning.



**781030** LARGE STORAGE CASE

INTERIOR	EXTERIOR
18.5" x 9.5" x 8.5"	22" x 14.25" x 11.5"

- + Lift-out tray
- + Sturdy latches and easy carry handle
- + Packed 1/carton



**181601** SHOOTER'S CASE

INTERIOR	EXTERIOR
14.75" x 6" x 9"	18" x 9" x 13.5"

- + Lift-out tray
- + Staggered yoke system
- + Packed 2/carton



**178100** EXTRA-LARGE SHOOTER'S CASE

INTERIOR	EXTERIOR
18.5" x 9.5" x 8.5"	22" x 14.25" x 11.5"

- + Lift-out tray
- + Staggered yoke system
- + Packed 2/carton



**725001** BUCKET-TOP STOWAWAY®

EXTERIOR
12" x 3.75" x 12"

- + 14 storage compartments and one tray
- + Packed 3/carton



**181206** 1812 MAGNUM CALIBER  
FIELD/AMMO BOX

EXTERIOR 17" x 10.38" x 13"

- + Top lift out tray
- + Two internal dividers
- + Top quick access storage
- + Brass bail latch
- + Heavy-duty handle
- + Water-resistant o-ring seal
- + Packed 2/carton



**161200** BIG .50 CALIBER  
FIELD/AMMO BOX

INTERIOR 12.5" x 6" x 8.5"  
EXTERIOR 15" x 8" x 10"

- + Water-resistant o-ring seal
- + Brass bail latch
- + Lift-out tray
- + Holds 6 boxes of 2-3/4" or 3" shells
- + Packed 4/Cartron



**161298** BIG .50 CALIBER  
FIELD/AMMO BOX

INTERIOR 12.5" x 6" x 8.5"  
EXTERIOR 15" x 8" x 10"

- + Brass bail latch
- + Holds 6 boxes of 2-3/4" or 3" shells
- + Packed 4/carton



**171200** .50 CALIBER  
FIELD/AMMO BOX

INTERIOR 11.25" x 5.5" x 7"  
EXTERIOR 13.75" x 7" x 8.75"

- + Water-resistant o-ring seal
- + Brass bail latch
- + Modeled after the original 50 cal. ammo can
- + Lockable
- + Packed 4/carton



**131200** .30 CALIBER  
FIELD/AMMO BOX

INTERIOR 9.5" x 4.25" x 6.5"  
EXTERIOR 11.625" x 5.125" x 7.125"

- + Water-resistant o-ring seal
- + Brass bail latch
- + Holds 6-8 boxes of ammunition
- + 131200-Packed 6/carton
- + 131250-Packed 192/pallet



**121202** SHOT SHELL  
FIELD/AMMO BOX

EXTERIOR 13.625" x 5.625" x 5.625"

- + Water-resistant o-ring seal
- + Brass bail latch
- + Holds 4 shot shell boxes
- + Lockable
- + 121202-Packed 6/carton
- + 121250-Packed 176/pallet

# AMMO CASES

Securely store up to 100 rounds of reloads with Plano's sturdy hard-plastic cases. These durable storage boxes feature secure closures and deep individual slots to keep ammo organized, protected and accessible. Each box is designed for a specific caliber to ensure an appropriate fit.

## CHOKE TUBE HOLDER



**120501**

EXTERIOR  
5.75" x 3.75" x 1.25"

- + Holds: 3-6 choke tubes
- + Dividers & padded inserts offer protection
- + Packed 6/carton



**121601**

EXTERIOR  
5.63" x 5" x 3"

- + Holds: up to 25 rounds of 12 or 16 gauge shells
- + Accommodates: 2.75" & 3" Shells
- + Packed 6/carton



**121701**

EXTERIOR  
5.63" x 5" x 3"

- + Holds: up to 25 rounds of 12 or 16 gauge shells
- + Accommodates: 3.5" Shells
- + Packed 6/carton



**122001**

EXTERIOR  
5" x 4.63" x 3"

- + Holds: up to 25 rounds of 20 gauge shells
- + Accommodates: 2.75" & 3" shells
- + Packed 6/carton



**122400**

EXTERIOR  
4.918" x 5.327" x 1.60"

- + Holds: 100 rounds 9mm, .380 Auto
- + Packed 6/carton



**122450**

EXTERIOR  
4.887" x 3.048" x 1.60"

- + Holds: 50 rounds 9mm, 380 auto
- + Packed 6/carton



**122500**

EXTERIOR  
5.006" x 5.438" x 2.017"

- + Holds: 100 rounds .357 Mag, .38 Special, .38 S&W
- + Packed 6/carton



**122550**

EXTERIOR  
5.003" x 3.118" x 2.012"

- + Holds: 50 rounds .357 Mag, .38 Special, .38 S&W
- + Packed 6/carton



**122600**

EXTERIOR  
5.899" x 6.343" x 2.250"

- + Holds: 100 rounds .41 Mag, .44 Mag, .45 long colt
- + Packed 6/carton

## Shipping in Display Boxes



**122650**

EXTERIOR  
5.91" x 3.573" x 2.245"

- + Holds: 50 rounds  
.41 Mag, .44 Mag,  
.45 long colt
- + Packed 6/carton



**122700**

EXTERIOR  
5.928" x 6.335" x 1.663"

- + Holds: 100 rounds  
.45 ACP, .40 S&W,  
10mm
- + Packed 6/carton



**122750**

EXTERIOR  
5.9" x 3.557" x 1.657"

- + Holds: 50 rounds  
.45 ACP, .40 S&W,  
10mm
- + Packed 6/carton



**122820**

EXTERIOR  
5.9" x 3" x 2.960"

- + Holds: 20 rounds  
.22-250, .250  
Savage, 30-30  
Win., .32 Win., .233
- + Packed 6/carton



**122850**

EXTERIOR  
6.204" x 3.729" x 2.960"

- + Holds: 50 rounds .  
22-250, .250  
Savage, 30-30  
Win., .32 Win., .233
- + Packed 6/carton



**122920**

EXTERIOR  
7.126" x 1.983" x 3.135"

- + Holds: 20 rounds .220  
Swift, .243 Win., .257  
Roberts, .270 WSM, 300  
WSM, .308 Win, 35 Rem,  
.444 Marlin, .45-70 Gov,  
7mm-08
- + Packed 6/carton



**122950**

EXTERIOR  
7.146" x 4.208" x 3.135"

- + Holds: 50 rounds .220  
Swift, .243 Win., .257  
Roberts, .270 WSM, 300  
WSM, .308 Win, .35  
Rem, .444 Marlin, .45-70  
Gov, 7mm-08
- + Packed 6/carton



**123020**

EXTERIOR  
7.244" x 2.035" x 4.010"

- + Holds: 20 rounds .30-06,  
7mm Mag, .25-06 Rem,  
.270, .280 Rem, .338 Win.  
Mag, .340 Wby. Mag
- + Packed 6/carton



**123050**

EXTERIOR  
7.27" x 4.29" x 4.01"

- + Holds: 20 rounds .30-06,  
7mm Mag, .25-06 Rem,  
.270, .280 Rem, .338 Win.  
Mag, .340 Wby. Mag
- + Packed 6/carton

# HUNTER GUIDE SERIES™ WATERPROOF CASES



**144961** GUIDE SERIES™  
WATERPROOF CASE

INTERIOR	EXTERIOR
6.5" x 4.5" x 2.13"	5" x 3" x 1.625"

- + Extra small footprint
- + Packed 6/carton



**1460061** GUIDE SERIES™  
WATERPROOF CASE

INTERIOR	EXTERIOR
9" x 5.25" x 3.625"	11" x 7.25" x 4"

- + Medium footprint
- + Packed 4/carton



**1450061** GUIDE SERIES™  
WATERPROOF CASE

INTERIOR	EXTERIOR
7.5" x 3.125" x 2.5"	9" x 4.875" x 3"

- + Small footprint
- + Packed 4/carton



**147061** GUIDE SERIES™  
WATERPROOF CASE

INTERIOR	EXTERIOR
12" x 7" x 4.625"	14" x 9" x 5"

- + Large footprint
- + Packed 2/carton



# SPECIALTY CASES



**358210** SD CARD  
HOLDER BOX

EXTERIOR

4.5" x 3.5" x 1"

- + Compact size
- + Fits easily into a pocket
- + Durable latch
- + Stores 8 mini and 8 standard cards
- + Water resistant storage
- + Packed 6/carton



**147050** VIDEO/CAMERA CASE

INTERIOR

12" x 7" x 4.625"

EXTERIOR

14" x 9" x 5"

- + Completely airtight and waterproof
- + 3700 StowAway footprint
- + Customizable pluck to fit foam
- + Heavy-duty Dri-Loc® o-ring seal keeps out the elements
- + Packed 2/carton

# REP LISTINGS

WEST	NORTH-CENTRAL	MIDWEST/SOUTHEAST	SOUTH-CENTRAL	NORTHEAST/CENTRAL	CANADA - WEST	CANADA - EAST
Alaska Arizona California Colorado Hawaii Idaho Montana Nevada New Mexico Oregon Utah Washington Wyoming	Illinois Michigan Minnesota North Dakota South Dakota Wisconsin	Alabama Arkansas Florida Georgia Iowa Kansas Kentucky Mississippi Missouri Nebraska North Carolina Oklahoma South Carolina Tennessee Virginia West Virginia	Louisiana Texas	Connecticut Delaware Indiana Maine Maryland Massachusetts New Hampshire New Jersey New York Ohio Pennsylvania Rhode Island Vermont	Alberta British Columbia Manitoba Northwest Territories Saskatchewan Yukon	New Brunswick Newfoundland Nova Scotia Ontario P.E.I. Quebec
<b>L.H. French Company, Inc.</b> 1071 West 251st St. Harbor City, CA 90710  Phone: 310-326-6543 Fax: 310-326-2149	<b>Ferguson-Keller Associates, Inc.</b> 230 Capital Dr. Ne. Suite 500 Buffalo, MN 55313-2460  Phone: 763-682-2450 Fax: 763-682-1119 info@ferguson-keller.com	<b>Dunkin-Lewis Inc.</b> 2552 Rocky Ridge Rd. Birmingham, AL 35243  Phone: 205-822-6104 Fax: 205-822-0251	<b>New Millennium Marketing/ Baratti Marketing</b> 20301 Rhodes Rd. Spring, TX 77388  Phone: 281-350-0091 Fax: 281-350-5176	<b>Thomas F. Gowen &amp; Sons</b> 1040 Old Sproul Rd. Springfield, PA 19064  Phone: 610-544-3700 Fax: 610-328-6820	<b>Northern Exposure Sporting Group Inc.</b> 5498 Fifth Line Hillsburgh ON N0B 1Z0 Canada  Phone: 519-833-7538 Fax: 519-833-0185 info@northern sporting.com	<b>B. L. Carpenter Enterprises</b> 3170 Ridgeway Dr. Unit 11&12 Mississauga, ON L5L 5R4 Canada  Phone: 905-608-0601 Fax: 905-608-8354



PROTECT

YOUR PASSION



**PLANO**

planomolding.com | Phone: 800-226-9868

©Plano Synergy 431 E. South Street, Plano, Illinois 60545-1601



**PLANO SYNERGY**  
FORGE FORWARD